



Best Choice for Residential



## MONO-FACIAL MODULE

# DM415M10-54HBB



### Aesthetics

Ultimate look of black modules, perfectly matching the owner's aesthetic pursuit



### Quality

Over 40 years of manufacturing experience in house wafer, cell and module



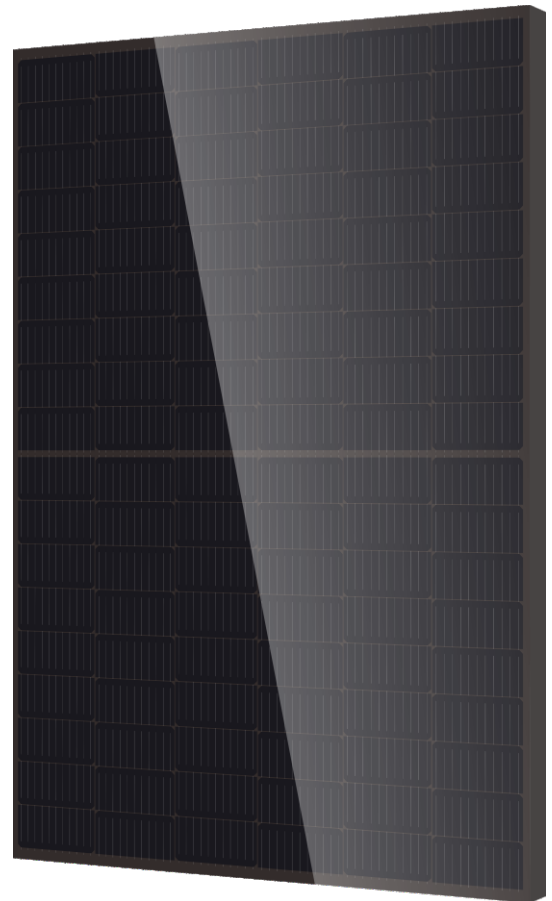
### Guarantee

Warranty comes from one of the most financially healthy PV providers

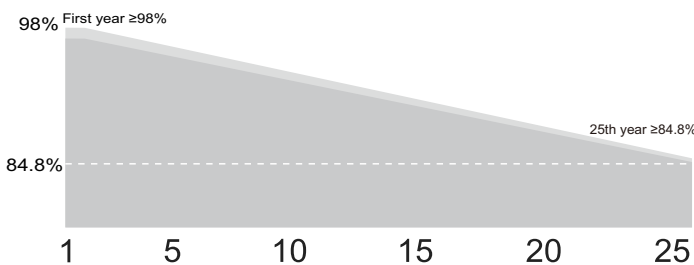


### Service

Customer-oriented and local services



## Warranty



**25** Years product warranty

**25** Years power output warranty

\*25 years product warranty is only valid for this type of modules installed in residential rooftop PV systems in Australia.

A Member of the Hengdian Group

Ver:20230802A2

## Electrical Specifications

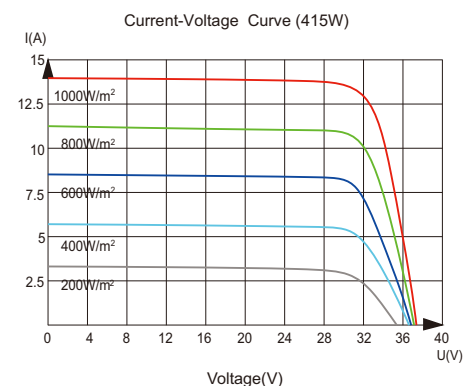
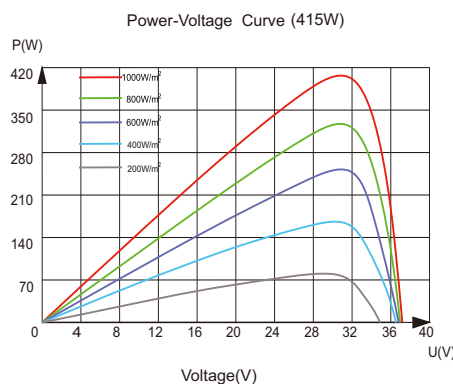
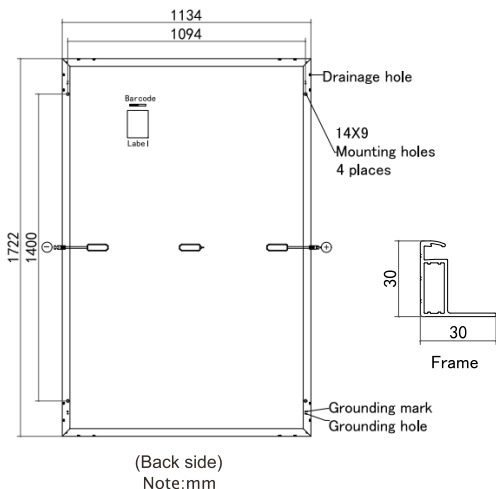
Module Type	DM415M10-54HBB DM415M10-54HBB-V	
Testing Condition	STC	NOCT
Maximum Power (Pmax/W)	415	315
Maximum Power Current (Imp/A)	13.29	10.52
Maximum Power Voltage (Vmp/V)	31.27	29.90
Short-circuit Current (Isc/A)	14.13	11.33
Open-circuit Voltage (Voc/V)	37.45	35.57
Module Efficiency STC (%)	21.25%	
Pmax Tolerance ±3% STC:AM1.5 1000W/m <sup>2</sup> 25°C NOCT:AM1.5 800W/m <sup>2</sup> 20°C 1m/s Measurement uncertainty:±3%		

Mechanical Data	
Cell Type	P type Mono-crystalline
Cell Arrangement	108(6x18)
Module Dimensions	1722x1134x30mm
Weight	21.2kg
Module Structure	Glass/Encapsulant/Backsheet
Glass Thickness	3.2mm
PV Module Classification	Class II
Junction Box Rating	IP68
Cables	4mm <sup>2</sup> /1100mm or Customized Length
Connector Type	PV-ZH202B or MC4 (1000V) PV-ZH202B or MC4-EVO 2A (1500V)

Packaging	
Pallet Dimensions	1770×1140×1250mm
Container	40'HQ
Pieces per Pallet	36
Pieces per Container	936

Temperature Characteristics	
Nominal Operating Cell Temperature(NOCT)	42±3°C
Temperature Coefficient of Isc	+0.0448%/°C
Temperature Coefficient of Voc	-0.246%/°C
Temperature Coefficient of Pmax	-0.330%/°C

Maximum Ratings			
Operating Temperature	-40°C to+85°C	Maximum Series Fuse Rating	25A
Maximum Load Capacity	Snow 5400Pa/Wind 2400Pa	Number of Diodes	3
Maximum System Voltage	1000V/1500V DC(IEC)	Fire Rating Class	Class C



**Statement:** Due to technological progress, product parameters will be adjusted accordingly; When signing the contract, the latest data of the company shall prevail.