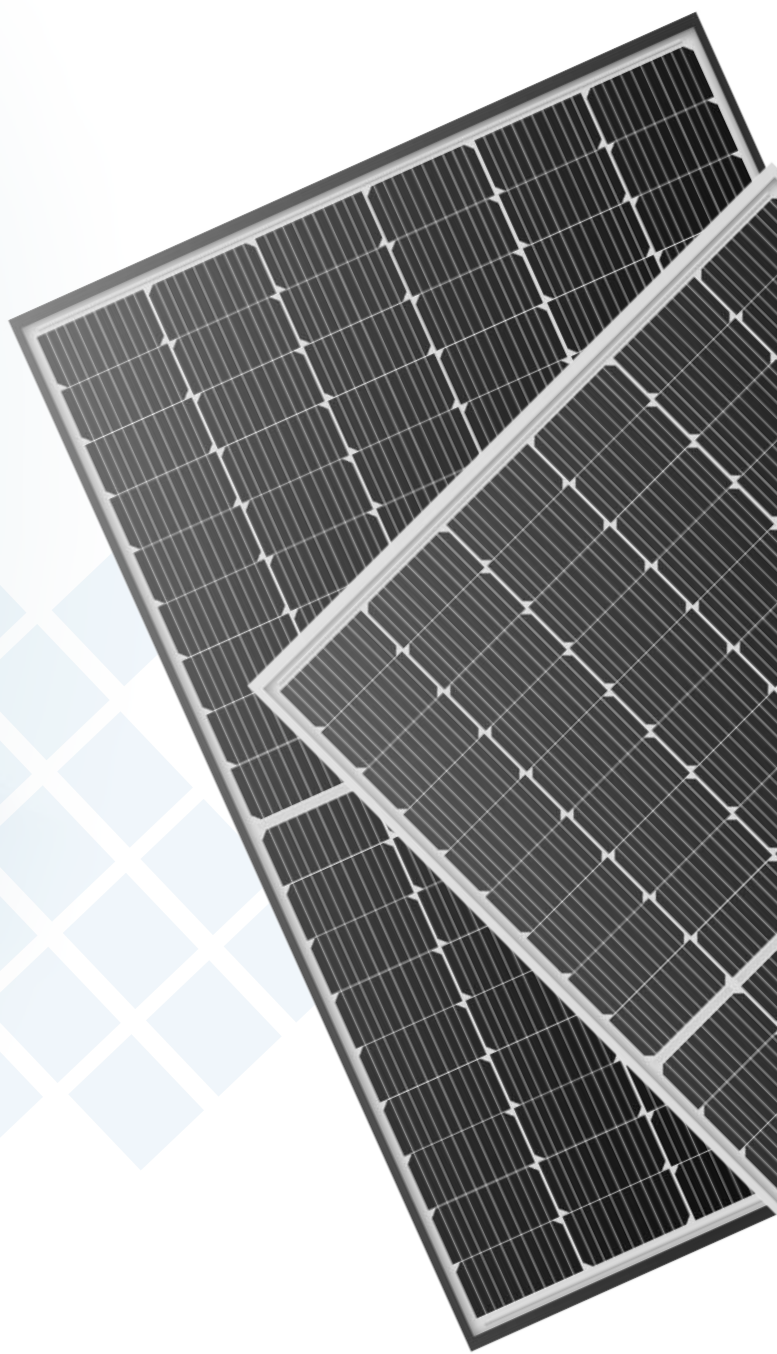




Monocrystalline

LP182*182-M-54-MH

Rated Power 410-415W



MBB Cell
New circuit design, lower internal current, lower internal resistance loss.



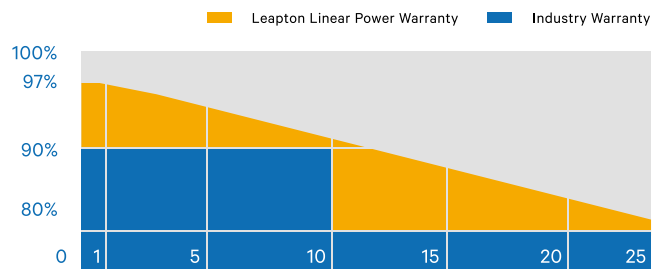
Higher Output Power
Module adopts 108 pcs of 182*182mm half cells, the maximum power can reach 415W.



Low Light Features
Higher performance under low light environment.



Load Capacity
Mechanical load tests including wind load 2400 Pa and snow load 5400 Pa done by TUV Nord.



25 YEARS Product Warranty

25 YEARS Power Warranty



J-PEC Product



IEC 61215-2: 2016
IEC 61730-2: 2016

Headquarter : Lepton Energy Co., Ltd.

📍 Tosei Bldg. 6F, 1-2-1 Aioi-cho, Chuo-ku
Kobe-shi, Hyogo, 650-0025, Japan
☎ +81-78-382-3182 🌐 www.leptonenergy.jp
✉ info@leptonenergy.jp

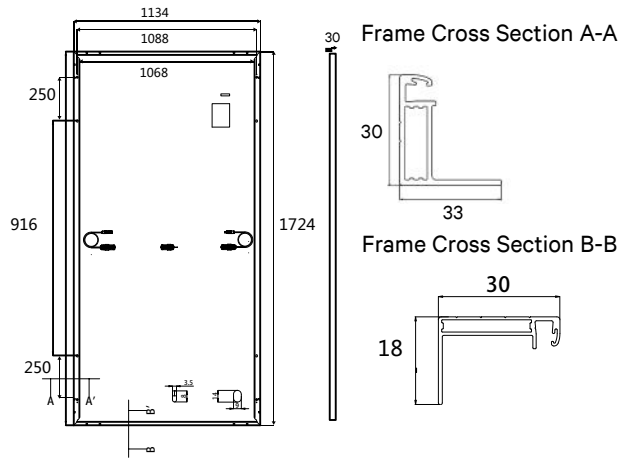
Manufacturer : Lepton Solar (Changshu) Co., Ltd.

📍 No 9th Sunshine Avenue, Changshu, Suzhou, China
☎ +86-512-88800068 🌐 www.leptonpv.com
✉ info@leptonenergy.com

Australia : Lepton Energy (Australia) Pty Ltd

📍 74 Moruya Drive, Port Macquarie NSW 2444
☎ +61 408 885 065 🌐 www.leptonau.com.au
✉ au@leptonenergy.com

MECHANICAL DIAGRAMS



SPECIFICATIONS

| | |
|-------------------------|--|
| Weight | 21.5kg |
| Dimensions | 1724mm*1134mm*30mm |
| Cell Dimensions | 182*182mm |
| Maximum System Voltage | 1500V |
| Junction Box | IP68 |
| Frame | Aluminum Alloy |
| Cable | 4mm ² , Landscape: N 1100mm/P 1100mm Portrait: N 200mm/P 300mm |
| Connector | PV-GZX 1500 |
| Application Level | Class A |
| Country of Manufacturer | China |
| Fire Safety Class | Class C according to ANSI/UL 1703-2018 |

ELECTRICAL PARAMETERS AT STC

| Module Name | LP182*182-M-54-MH-410W | LP182*182-M-54-MH-415W |
|-----------------------|------------------------|------------------------|
| Power | 410W | 415W |
| Open Circuit Voltage | 37.34V | 37.54V |
| Short Circuit Current | 13.70A | 13.75A |
| Maximum Power Voltage | 31.22V | 31.62V |
| Maximum Power Current | 13.06A | 13.12A |
| Module Efficiency | 20.97% | 21.23% |

* Under Standard Test Conditions (STC) of irradiance of 1000 W/m², spectrum AM 1.5 and cell temperature of 25°C.

ELECTRICAL PARAMETERS AT NMOT

| | | |
|-----------------------|--------|--------|
| Power | 302W | 306W |
| Open Circuit Voltage | 34.89V | 35.09V |
| Short Circuit Current | 10.80A | 11.00A |
| Maximum Power Voltage | 29.18V | 29.38V |
| Maximum Power Current | 10.35A | 10.40A |
| Module Efficiency | 15.45% | 15.65% |

* Under Nominal Module Operating Temperature (NMOT), irradiance of 800 W/m², spectrum AM 1.5, ambient temperature 20°C, wind speed 1 m/s.

TEMPERATURE CHARACTERISTICS

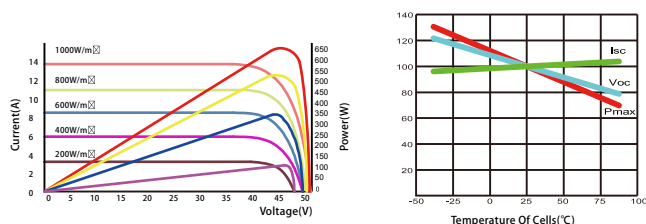
| | | | |
|-------------------------|-----------|--------------------------|-----------|
| NMOT | 41±3°C | Temp Coefficient of ISC | +0.05%/°C |
| Temp Coefficient of VOC | -0.28%/°C | Temp Coefficient of Pmax | -0.36%/°C |

PACKING CONFIGURATION

| | | | |
|---------------------|---|----------------------|------------|
| Modules/Pallet | 36 Pieces | Modules/40'Container | 936 Pieces |
| Packing Description | 26 Pallets, Total=(36+36)x13=936 Pieces | | |

CHARACTERISTICS

LP182*182-M-54-MH-410W LP182*182-M-54-MH-410W



MAXIMUM RATING

| | |
|-----------------------|--------------------------------------|
| Power Tolerance | Pmax:±3% Binning:±5W Voc:±5% Isc:±5% |
| Operating Temperature | -40°C~+85°C |
| Wind Load/Snow Load | 2400pa/5400pa |
| Fuse Current | 15A |

25 YEARS Product Warranty

25 YEARS Power Warranty